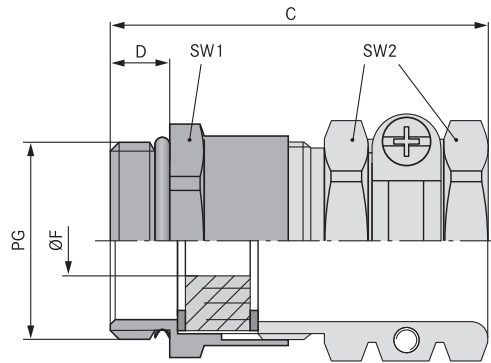


SKINDICHT® SHZ



SKINDICHT® SHZ



Benefits

- Incised sealing ring can be adjusted to clamp several cable diameters
- High strain relief
- Robust
- For cables with large outer diameters

Application range

- Compact brass cable gland for reliable strain relief, solid, for large cable diameters.

Approvals (Norm references)



Design

- PG connection thread

Note

- SKINDICHT® SHZ-XL is similar to the SKINDICHT® SHZ, but has an extended connection thread for thick walls
- For additional accessories see SKINDICHT® EV
- Counter nut to be used SKINDICHT® SM

Technical data

- Caution**
Installation dimensions see Appendix T21
- Material**
Body: Nickel plated brass
Seal: CR
O-ring: NBR
- Degree of protection**
IP 55
- Range of temperature**
-20 °C up to +80 °C

Part number	Part designation / size	Clamping range ØF mm	Max. fitting size for installation in mm	SW1 / SW2 mm	Overall length C mm	Thread length D mm	Pieces / PU
SKINDICHT® SHZ							
52005590	SHZ 7	5 - 6	21	14 / 15	30.0	5.0	50
52005600	SHZ 9	7,5 - 8,5	25	17 / 17	34.0	6.0	50
52000930	SHZ 11	9,5 - 12	28	20 / 20	35.0	6.0	25
52000940	SHZ 13,5	12,5 - 14	32	22 / 22	40.0	6.5	25
52000950	SHZ 16	13,5 - 16	35	24 / 24	42.0	6.5	25
52000960	SHZ 21	15,5 - 21	46	30 / 30	47.0	7.0	25
52000970	SHZ 29	21,5 - 27,5	58	40 / 41	53.0	8.0	10
52000980	SHZ 36	27 - 34	70	50 / 50	61.0	9.0	10
52005610	SHZ 42	34 - 43	78	57 / 57	66.0	10.0	5
52005620	SHZ 48	38 - 48	86	64 / 64	68.0	10.0	5
SKINDICHT® SHZ-XL							
52023716	SHZ 7	5 - 6	21	14 / 15	40.0	10.0	50
52023717	SHZ 9	7,5 - 8,5	25	17 / 17	43.0	10.0	50
52023718	SHZ 11	9,5 - 12	28	20 / 20	44.0	10.0	25
52023719	SHZ 13,5	12,5 - 14	32	22 / 22	48.5	10.0	25
52023720	SHZ 16	13,5 - 16	35	24 / 24	50.5	10.0	25
52024840	SHZ 21	15,5 - 21	46	30 / 30	55.0	11.0	25
52025530	SHZ 29	21,5 - 27,5	58	40 / 41	60.0	13.0	10
52023721	SHZ 36	27 - 34	70	50 / 50	67.0	13.0	10
52023722	SHZ 42	34 - 43	78	57 / 57	71.0	14.0	5
52023723	SHZ 48	38 - 48	86	64 / 64	73.0	14.0	5